

高效湿式粉碎技术

Effective Wet
Crushing Technology



粉碎机 Crusher

宝绿特粉碎机可在粉碎过程中加入水，让瓶片在粉碎时起到摩擦清洗的作用，同时用水可以达到降低粉碎室内温度，减少刀具磨损，最重要的是它降低粉末的产生，减少瓶片生产的损耗量，同时为后段瓶片热清洗创造条件。

粉碎室采用高硬度材质制成，经数控车床精加工，具有厚度大、强度高、耐磨性强、无污染、使用寿命长及维修保养十分方便等特点。

BoReTech crusher is capable for wet crushing which cause friction washing to PET flakes. Meanwhile, water flushing cool down crusher blades, and reduce crusher chamber temperature and blade abrasion, it reduces PET powder and loss of PET flakes, this process creates a better condition for PET flakes hot washing.

The crusher chamber is made of high-hardness steel. It is processed by CNC lathe which has advantage of great thickness, high strength, strong wear resistance, no pollution and a long service life. What's more, it is convenient for daily maintenance.



转动刀具采用最新的 V 形切割技术, 可将待粉碎材料送至转刀中央, 这避免了材料贴在侧壁上, 同时也增长了侧壁的使用寿命。

采用进料口处安装安全挡帘, 使材料在被破碎时不会飞溅出来。

电机带轮通过 V 形带连接传动轴, 具有运行平衡、配合精密、拆装方便、维修简单等特点。进料箱、筛网架采用液压装置掀开与闭合。

配调刀架, 使动刀可在机外的夹具内调整, 不必再经过艰难的机内调整的过程。

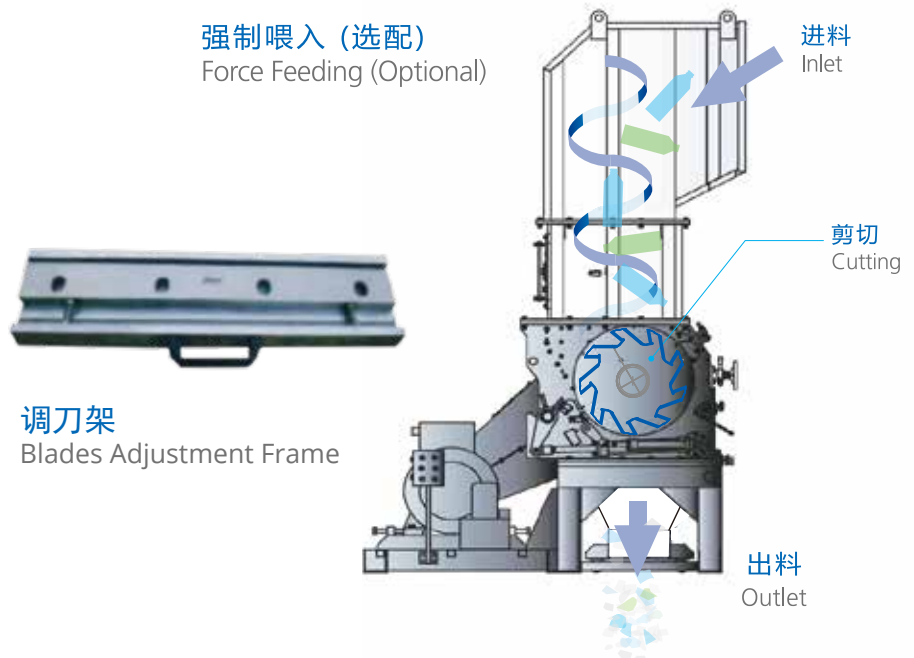
Crusher adopts the latest V-shaped cutting technology, shaft rotation transports PET bottles to the center of crusher chamber, it avoids these input bottles sticking to chamber side wall and increases crusher chamber's service life by reducing abrasion.

A safety curtain is equipped on the inlet hopper of crusher, it prevents PET flakes from splashing out when the crusher is under operation.

The crusher pulley is connected to the drive shaft through a V-shaped belt, it is provided with balanced operation, precise coordination. Besides, it's easy for repair work and maintenance. The feeding hopper and screen frame are operated by hydraulic device.

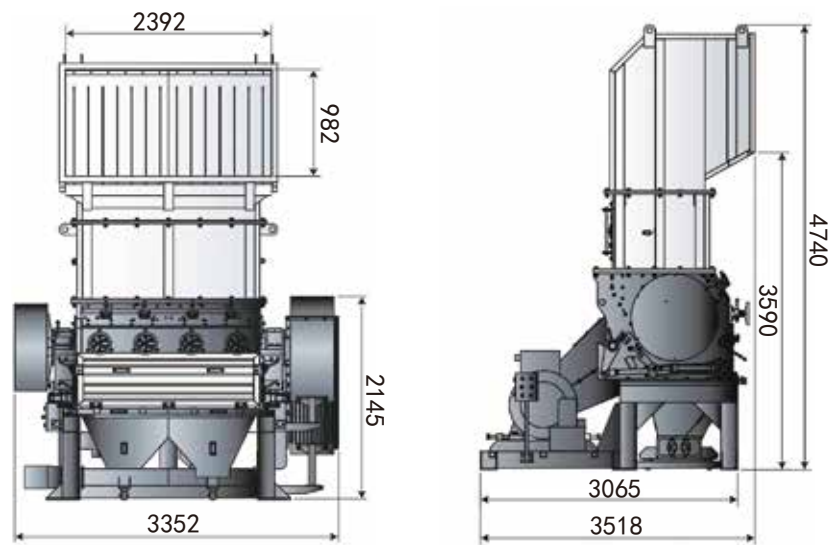
Rotary blades can be completed calibration in advance by tools outside the chamber, it's more convenient and safer.

运行示意图 Operation Process



外观尺寸图 Dimensions

SG-90200B



备件 Spare Parts

粉碎机 Crusher Blade

使用寿命: 1,000吨
Service life: 1,000 Tons output
耐磨, 高硬度, 可磨削重复使用
imported high-quality materials,
wear-resistant, high hardness,
grinding available

订制钢材: SKD11
Steel Material: SKD11

参数表 Parameters

| 型号 Model | 功率 Power (kW) | 动刀数 Number of Rotary Blade (pc) | 定刀数 Number of Fixed Blade (pc) | 粉碎室尺寸 Size of Chamber (mm) | 处理量 Capacity (kg/h) |
|-------------|---------------------|--|---|-------------------------------------|---------------------------|
| SG-70100B | 90 | 5X2 | 3X2 | 700×1000 | 1500 |
| SG-70150B | 110 | 5X2 | 3X2 | 700×1500 | 2500 |
| SG-90160B | 200 | 5X2 | 3X2 | 900×1600 | 3500 |
| SG-90200B | 250 | 5X2 | 3X2 | 900×2000 | 4000 |

